

**This electronic collection of documents is provided  
for the convenience of the user  
and is Not a Certified Document –**

**The documents contained herein were originally issued  
and sealed by the individuals whose names and license  
numbers appear on each page, on the dates appearing  
with their signature on that page.**

**This file or an individual page  
shall not be considered a certified document.**

PROJECT REFERENCE NO.	SHEET NO.
14C.044182	X-1A

STATE OF NORTH CAROLINA  
 HAYWOOD COUNTY

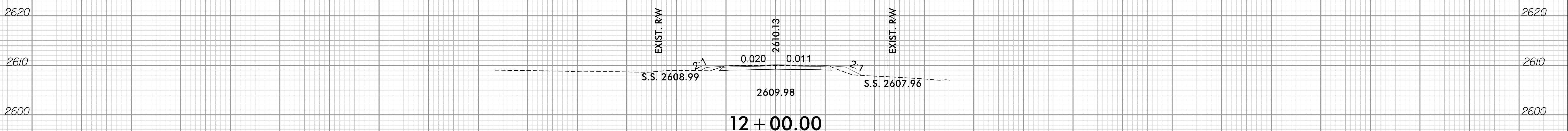
**TURKEY CREEK ROAD**

**INDEX OF SHEETS**

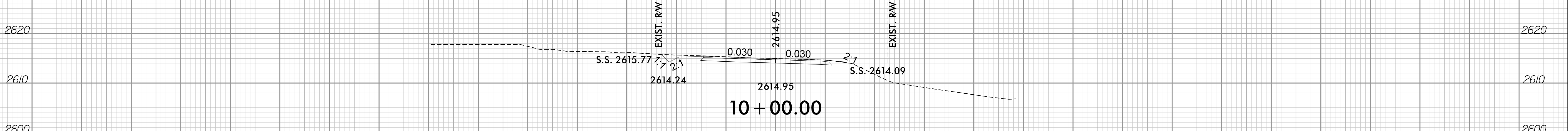
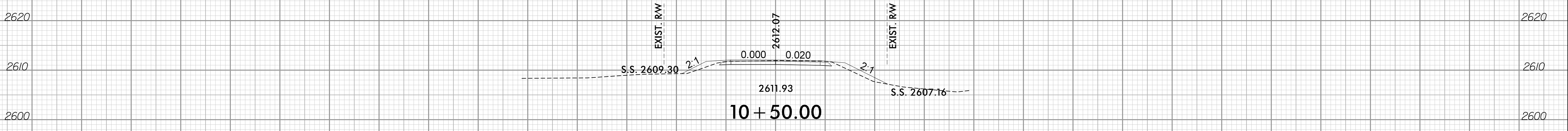
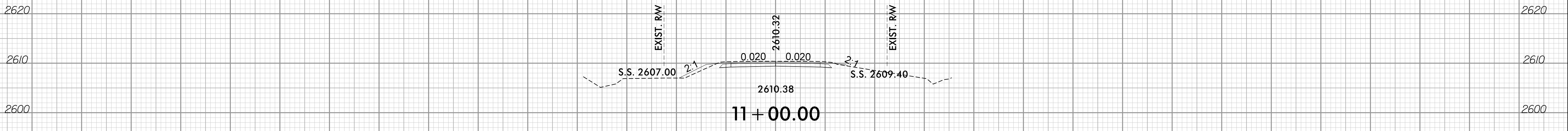
DESCRIPTION	SHEET NO.
CROSS SECTION INDEX	X-1A
-L-	X-1 TO X-13

8/17/99

12/1/2022 9:59:03 PM  
 \\p01\cadd\proj\14c044182\14c044182\_X-1A.dgn

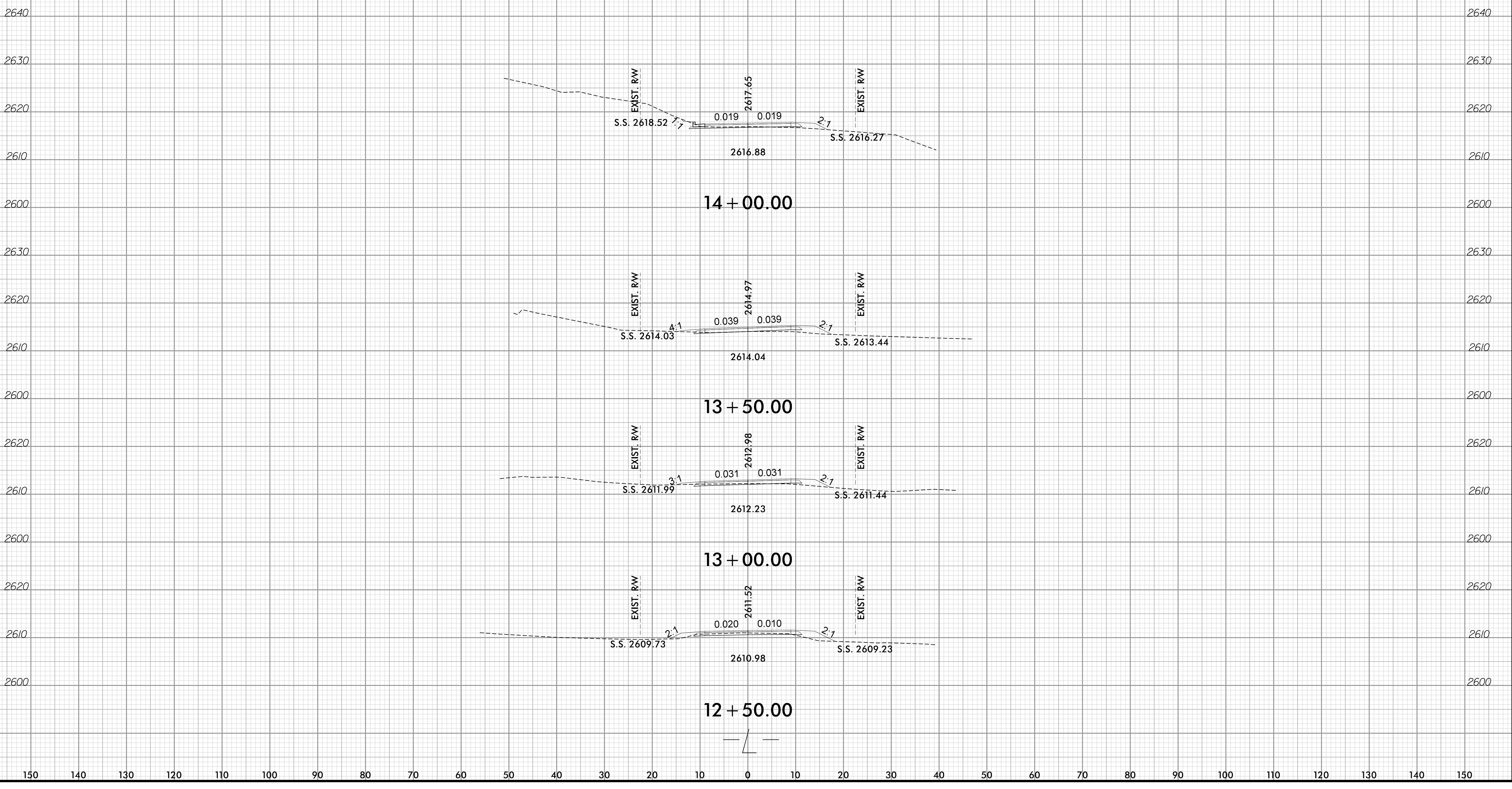


**TIE TO EXISTING BRIDGE**  
 -L- STA 11+27.87 TO 11+58.36

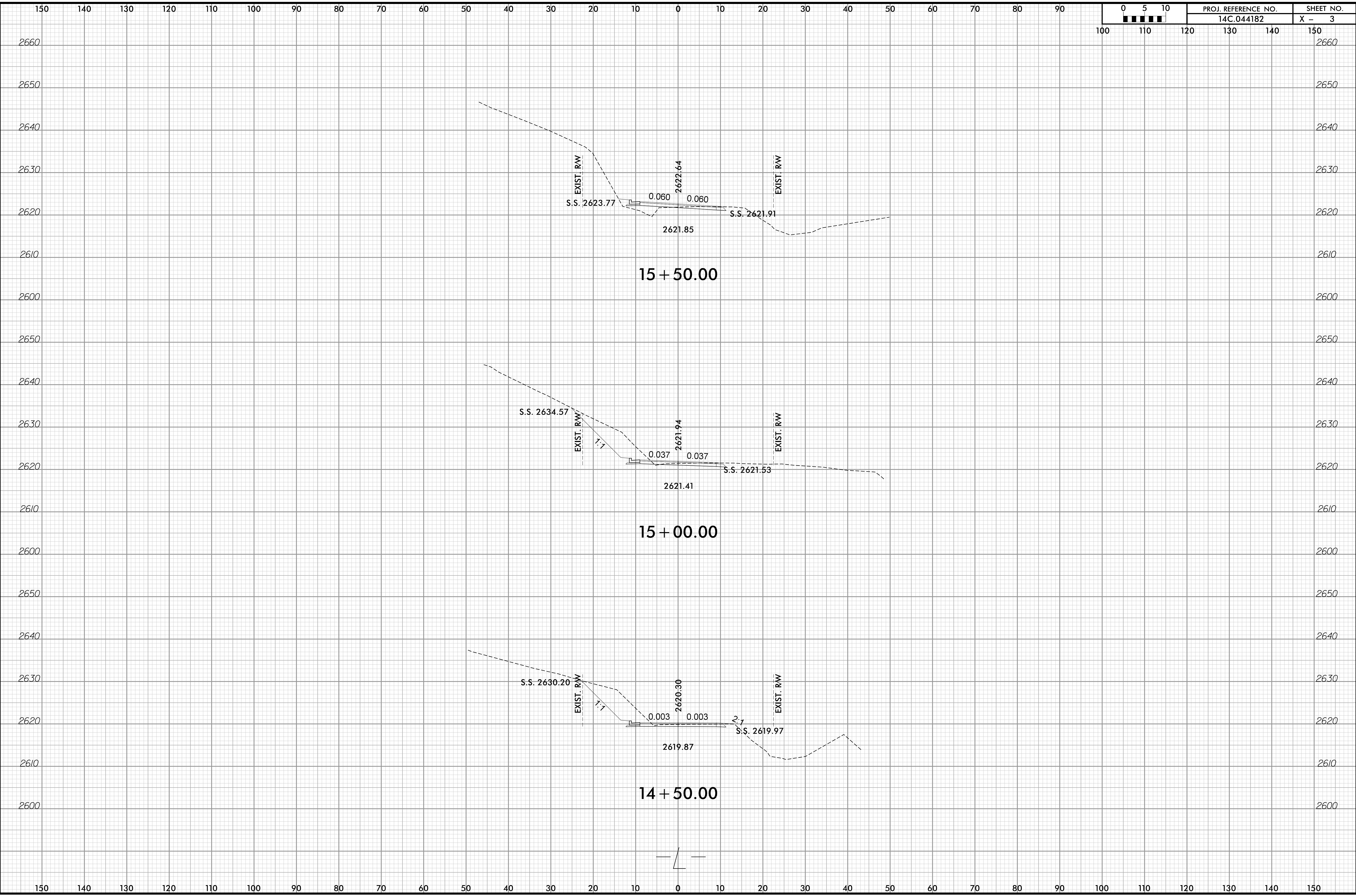


**BEGIN PROJECT 14C.044182 -L- STA. 10 + 00.00**

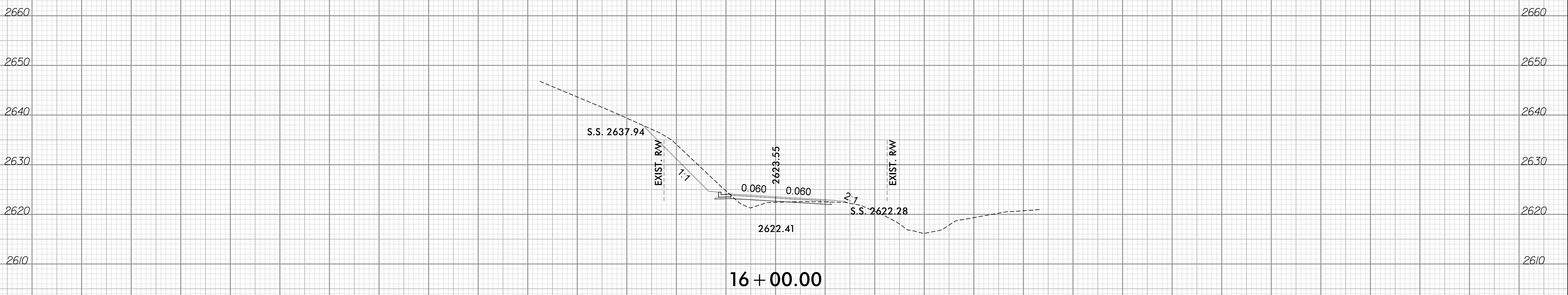
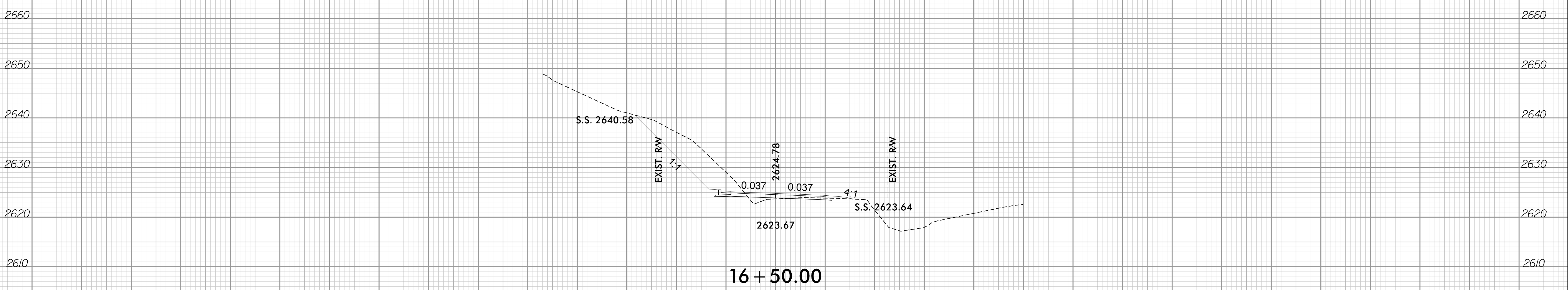
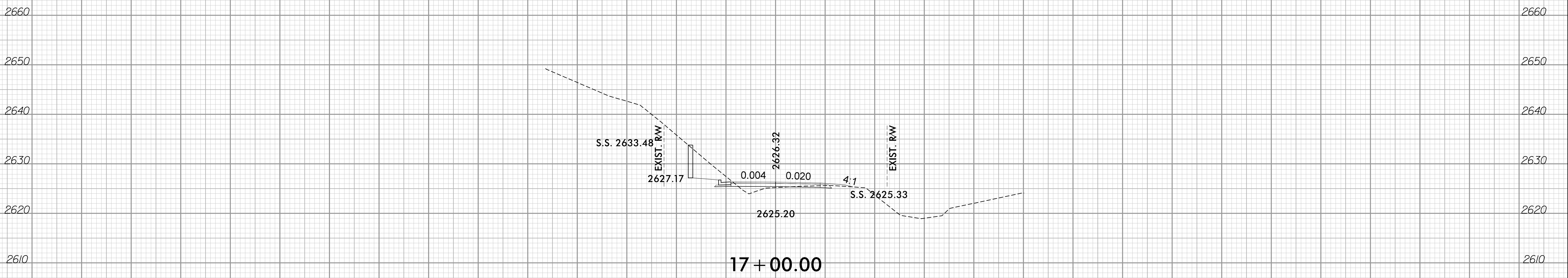
12/2/2022 6:24:58 AM  
 T:\urkey\Creek\_F0V\_L\_XSC.dgn  
 User: jdbv



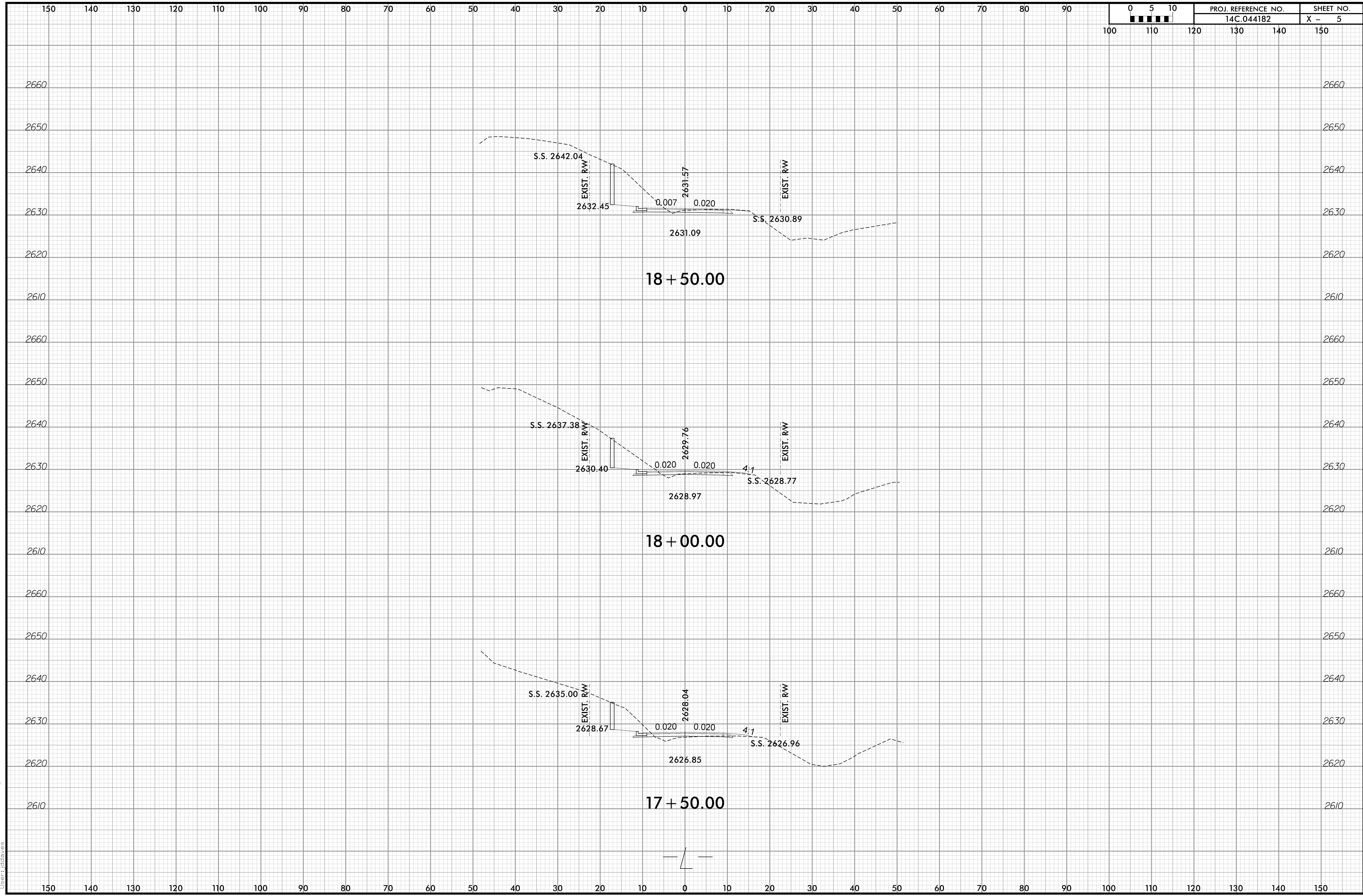
12/2/2022 6:24:58 AM  
I:\urkey\_creek\_rdy.L.XSC.dgn  
User: jdbbes



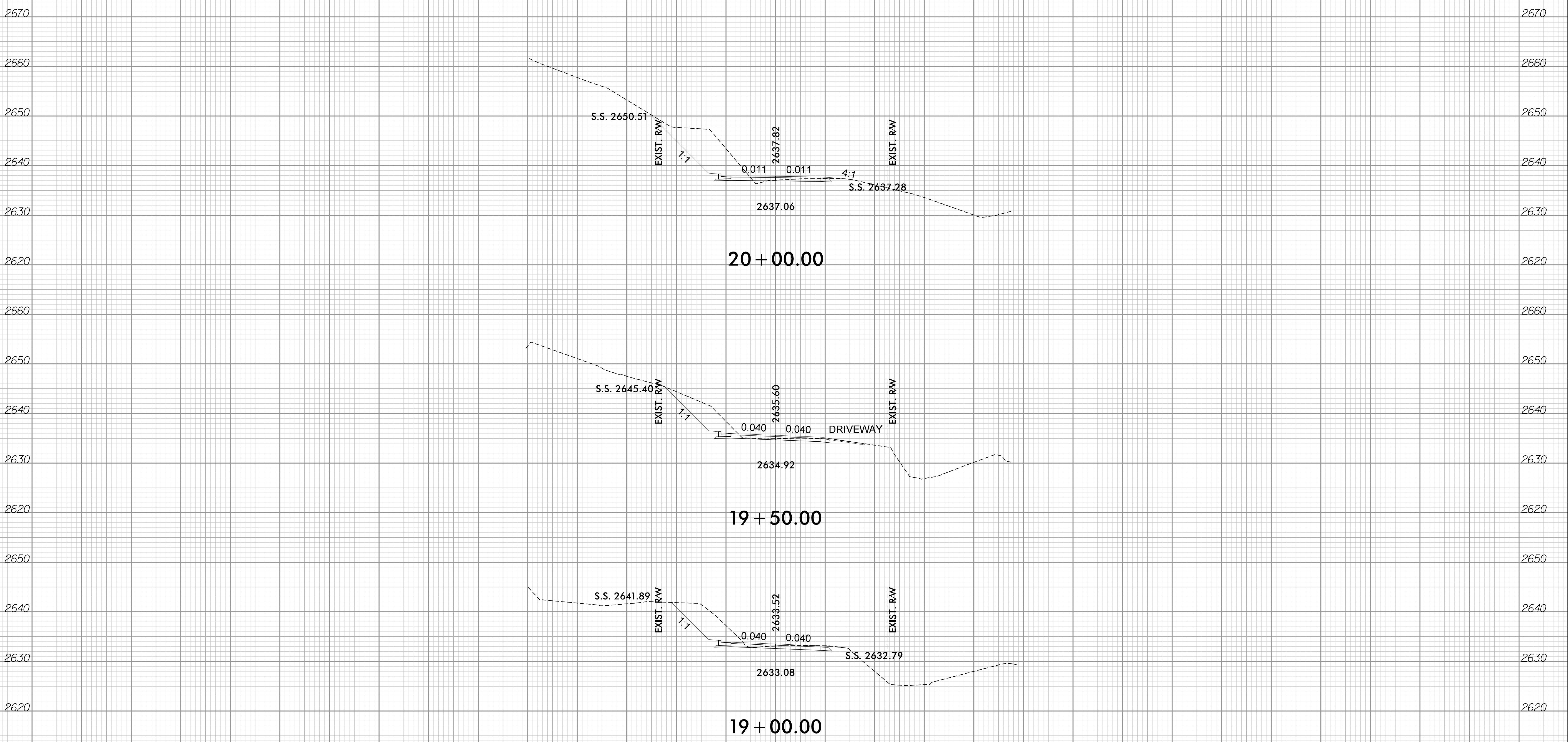
12/2/2022 6:24:58 AM  
User: jrb@bvs



12/2/2022 6:24:58 AM  
User: jrb@bvs

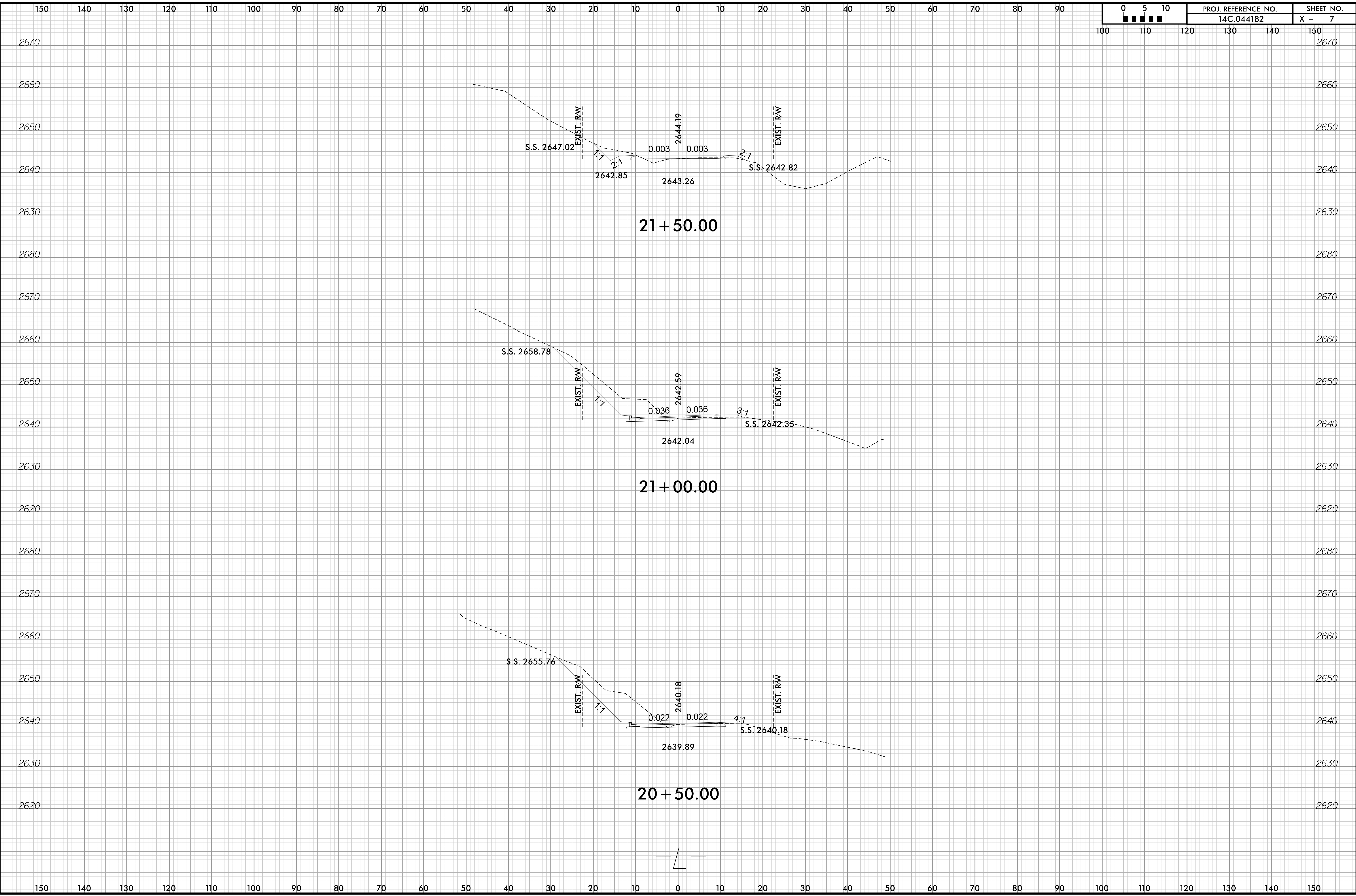


12/2/2022 6:24:58 AM  
I:\urkey\Creek\_FOV\_L.XSC.dgn  
User: jdbv

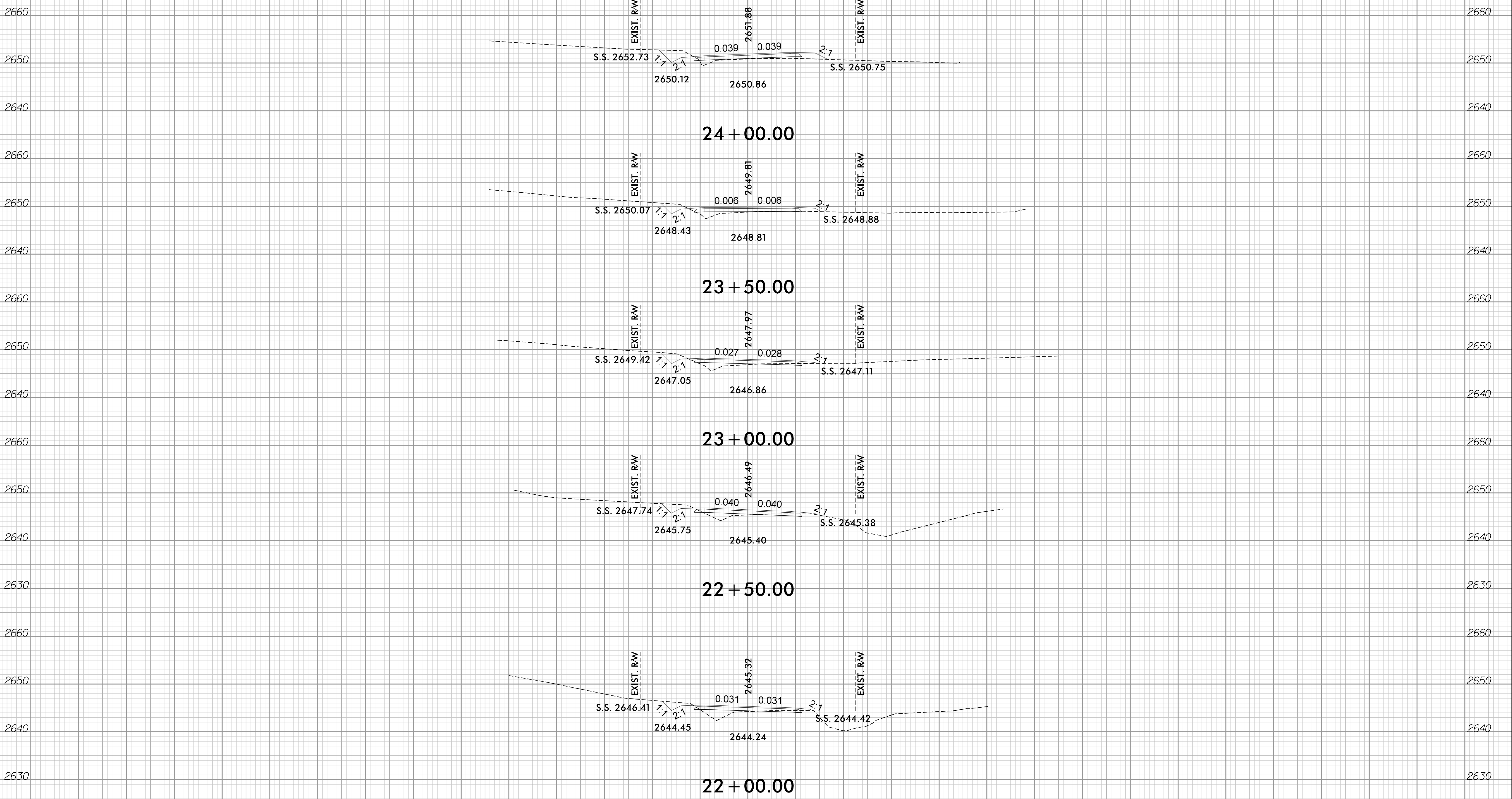


12/2/2022 6:24:58 AM  
I:\urkey\_creek\_rdy\L\_XSC.dgn  
User: jdbv

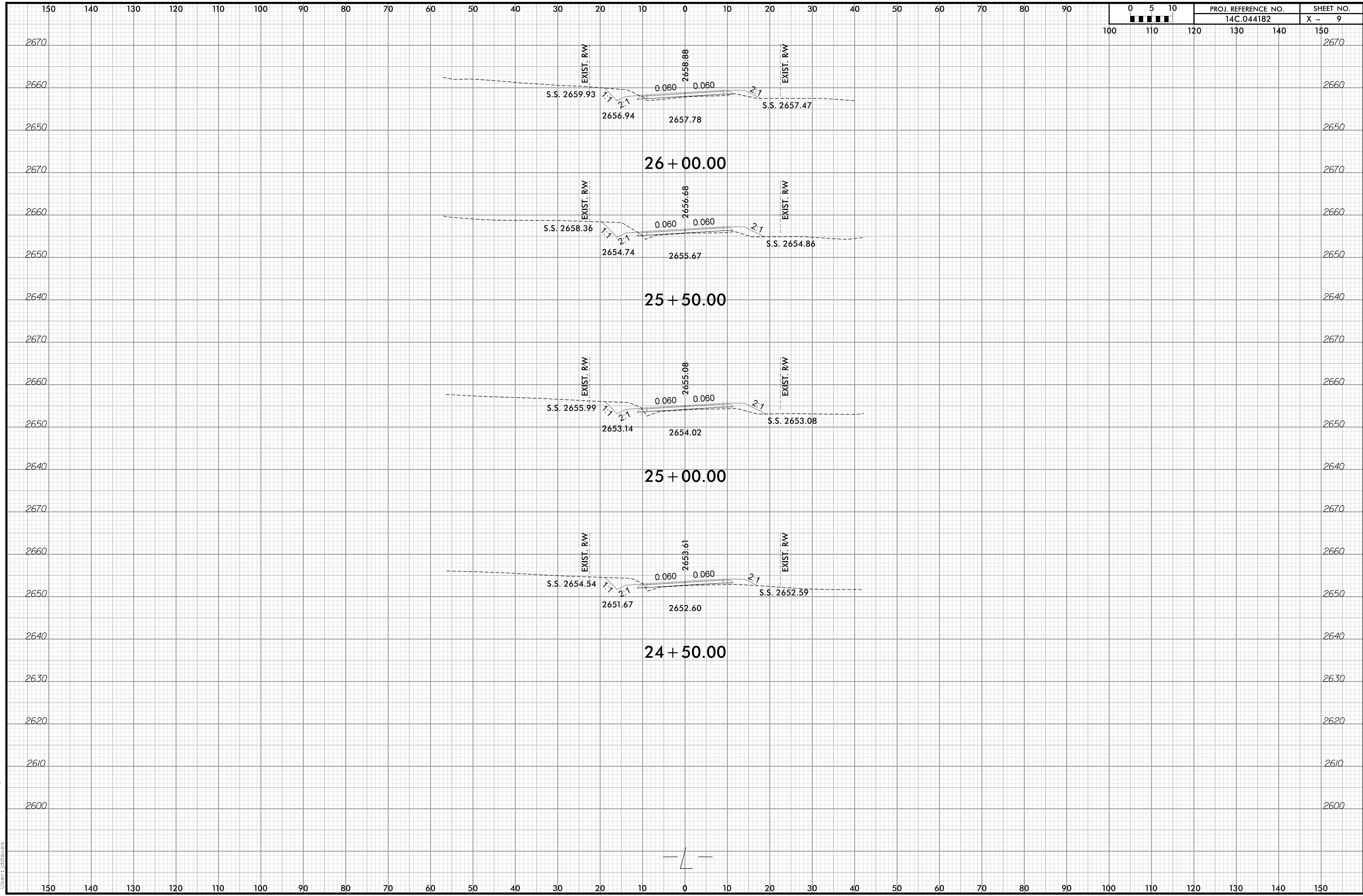




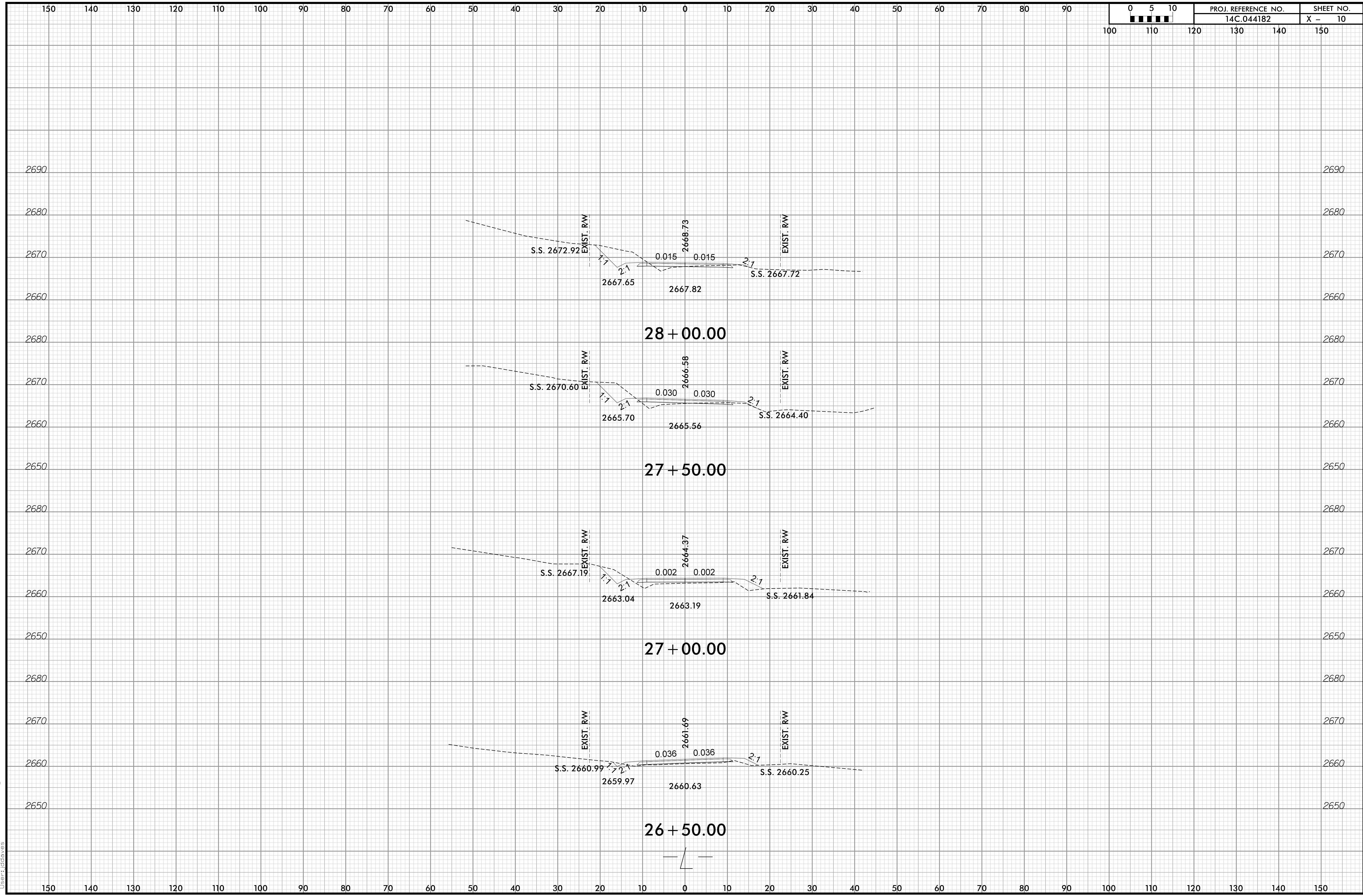
12/2/2022 6:24:58 AM  
C:\Users\jgibbs\OneDrive\Documents\14C.044182\14C.044182.XSC.dgn



12/2/2022 6:24:58 AM  
User: jrb@bvs

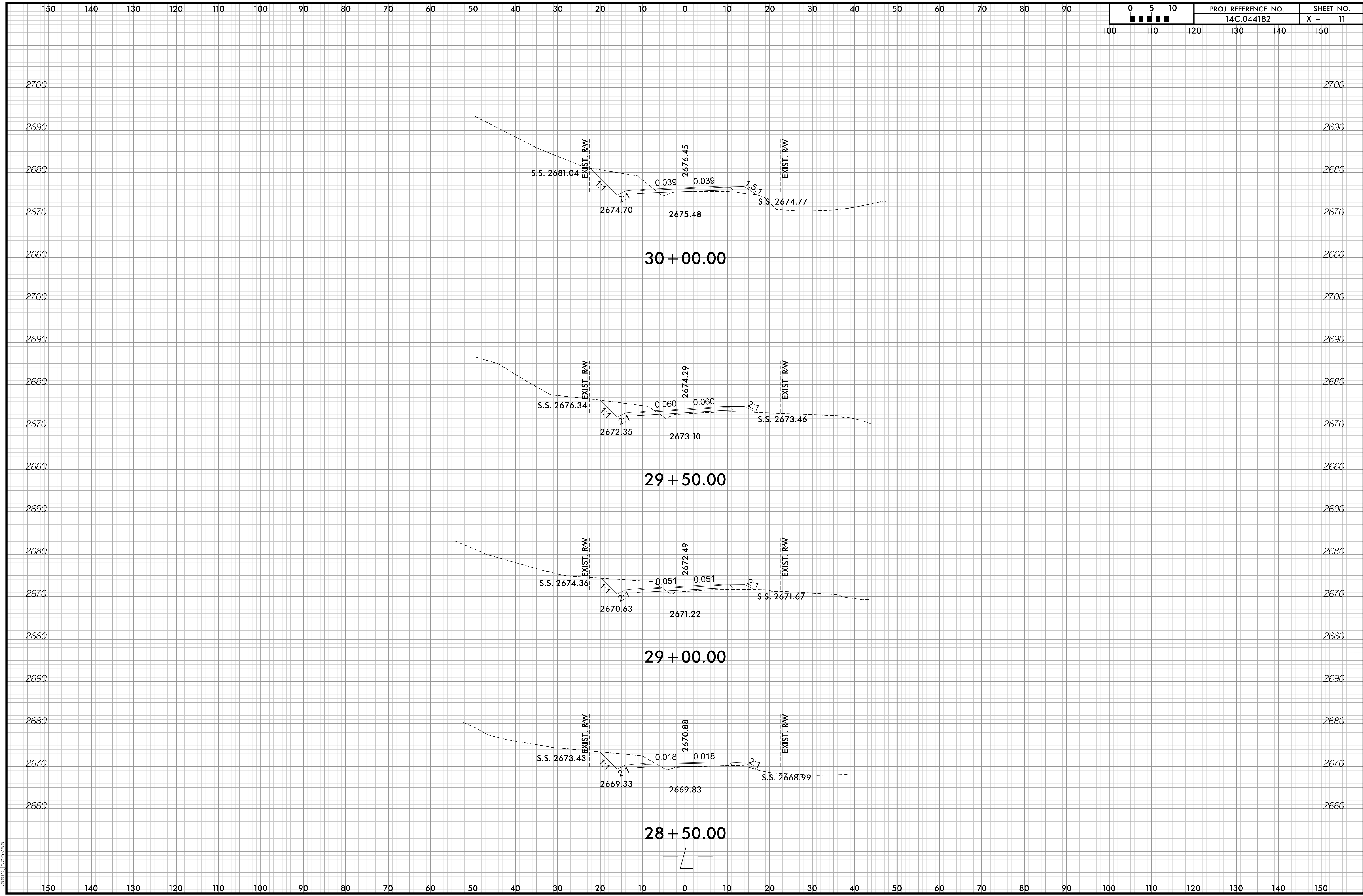


12/2/2022 6:24:58 AM  
User: jrb@bvs

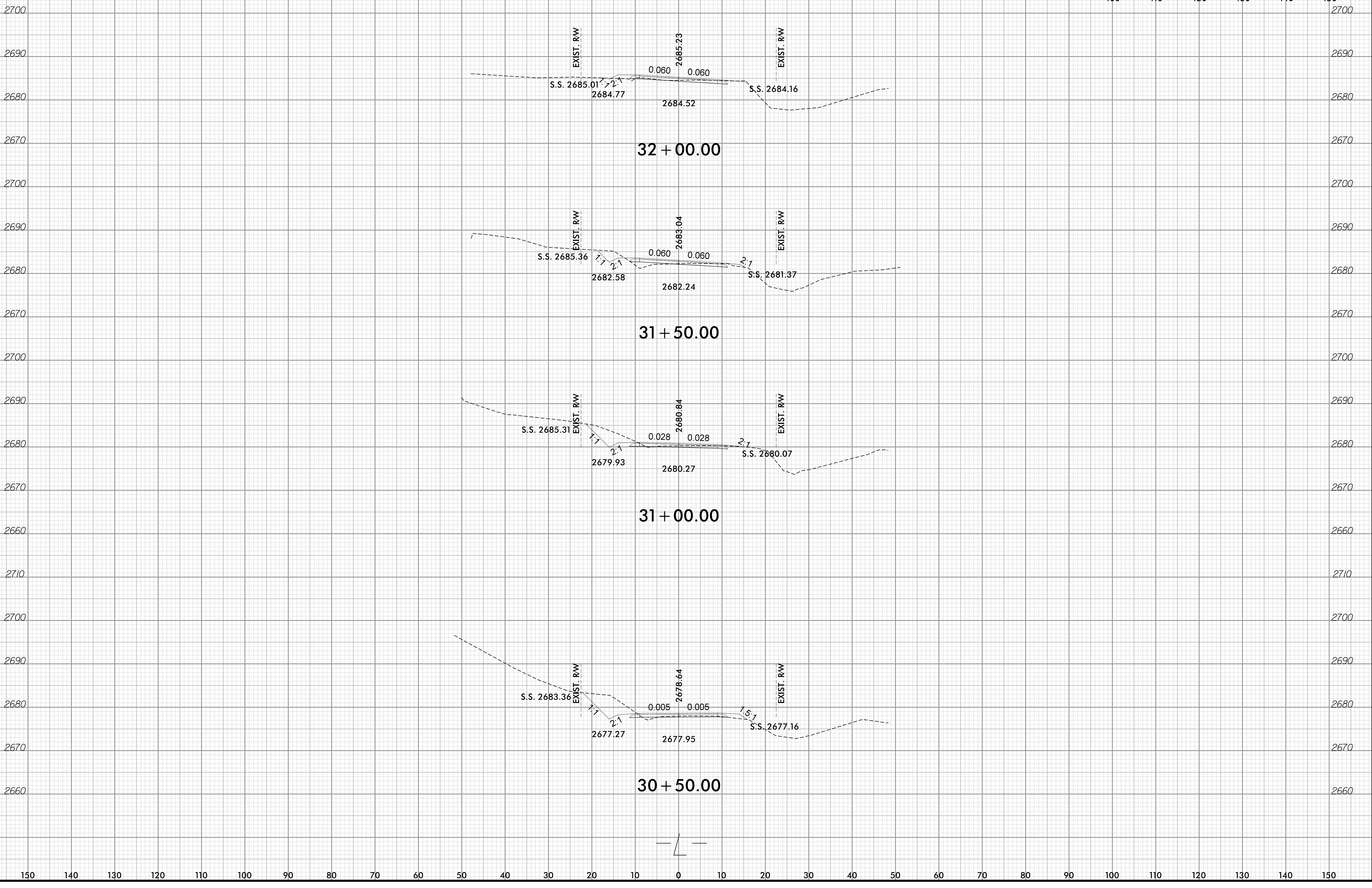


0 5 10	PROJ. REFERENCE NO.	SHEET NO.
	14C.044182	X - 10
100 110 120 130 140 150		

12/2/2022 6:24:58 AM  
I:\urkey\_creek\_rdy.L.XSC.dgn  
User: jdb@es

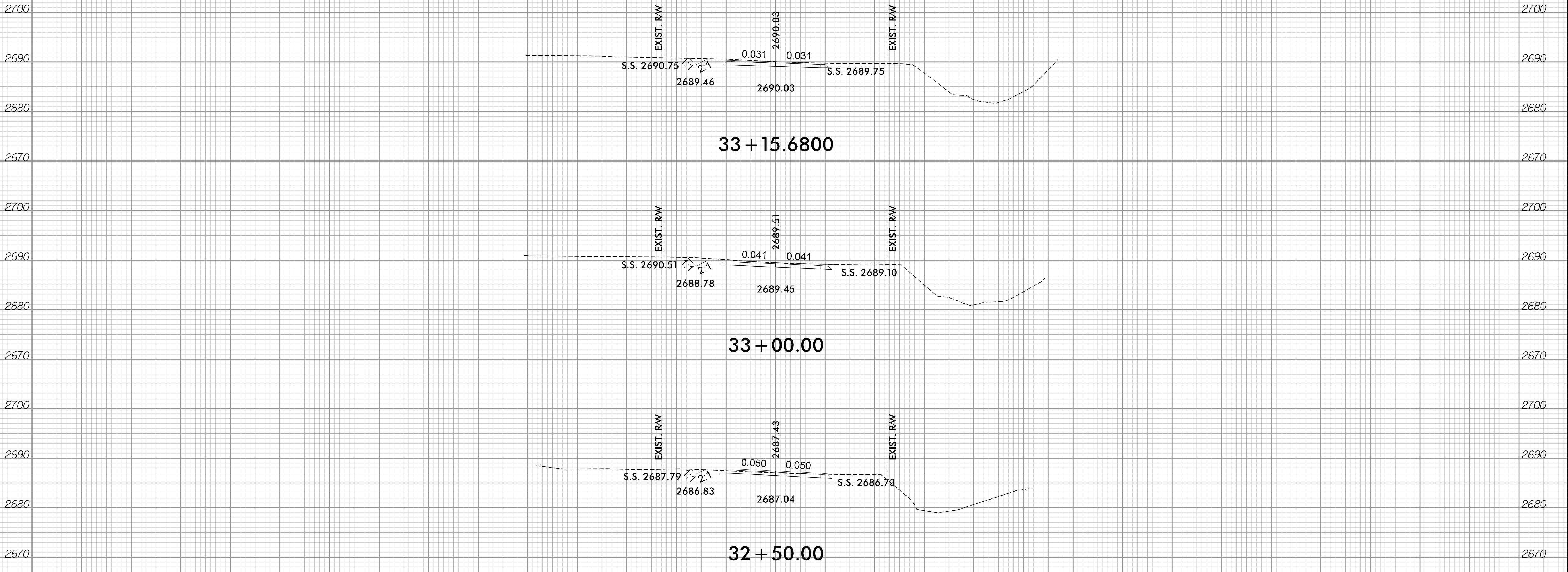


12/2/2022 6:24:58 AM  
T:\urkey\_creek\_rdy\_L.XSC.dgn  
User: jdbv



12/2/2022 6:24:58 AM  
User: jld@bvs

# END PROJECT 14C.044182 -L- STA. 33 + 15.68



12/2/2022 6:24:58 AM  
User: jrb@bvs